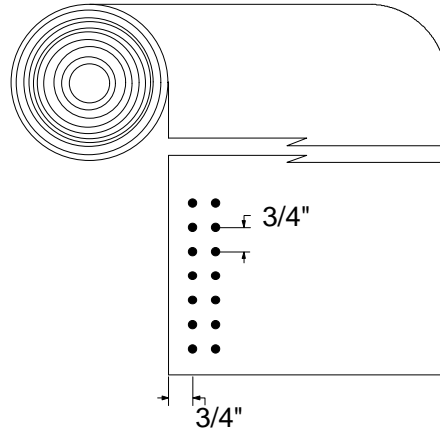
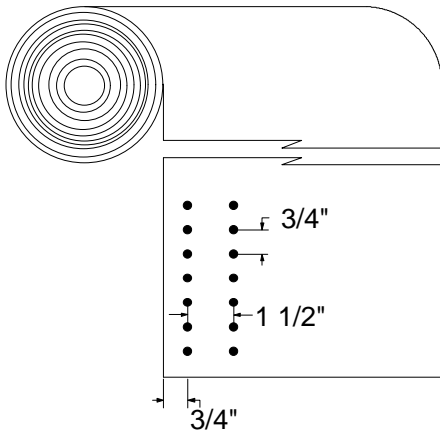


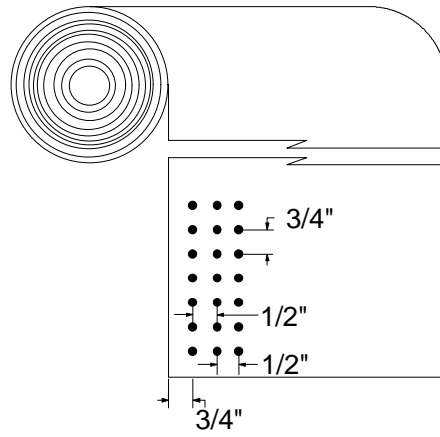
Pattern 1



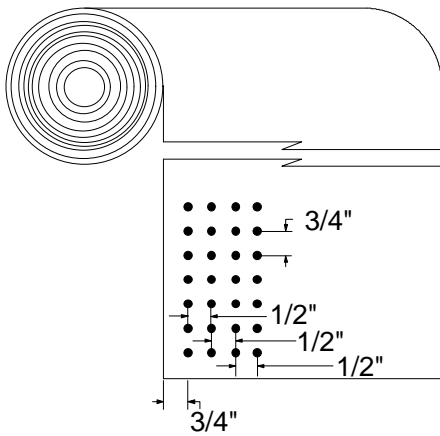
Pattern 2



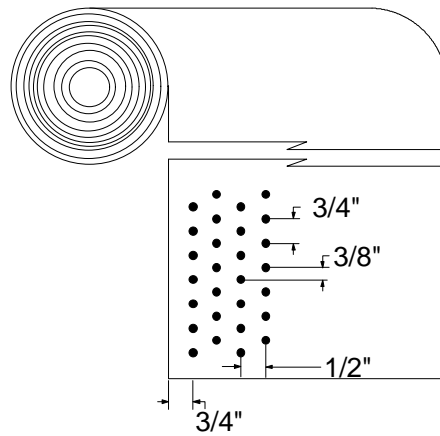
Pattern 2-A



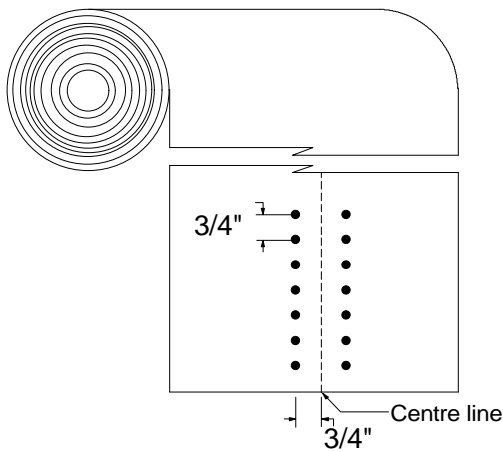
Pattern 3



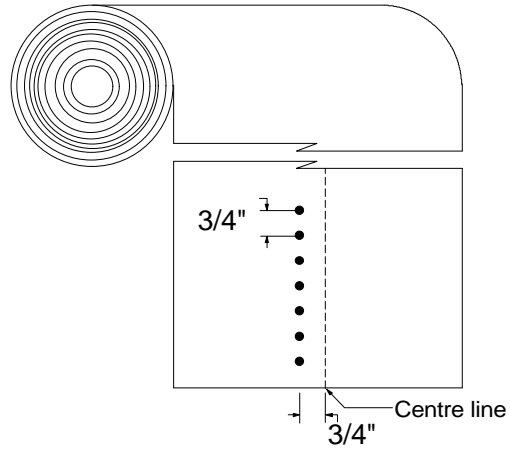
Pattern 4



Pattern 4-A

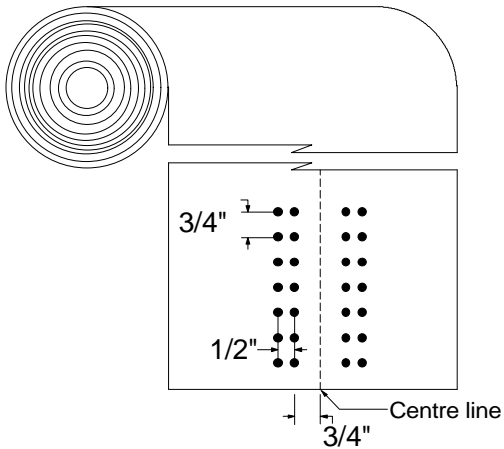


Pattern 10

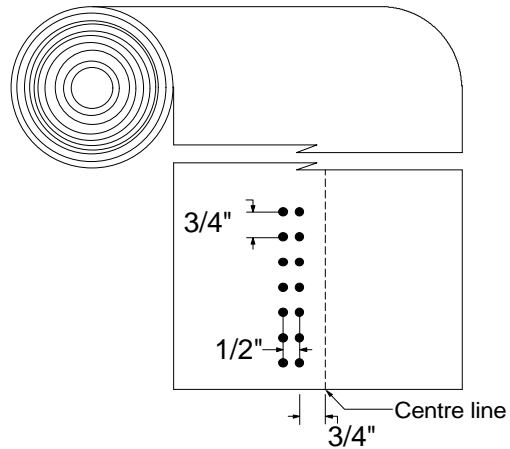


Pattern 11

Perforation to left or right of Centre Line

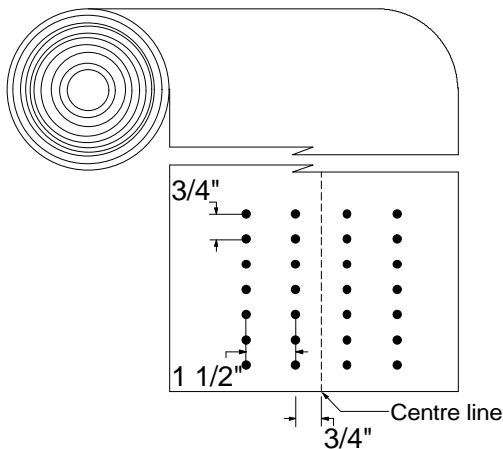


Pattern 20

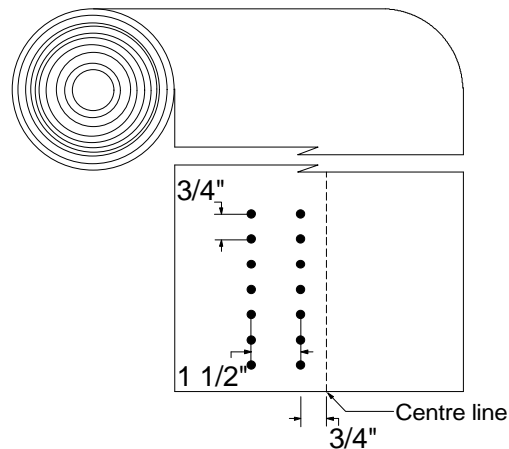


Pattern 21

Perforation to left or right of Centre Line

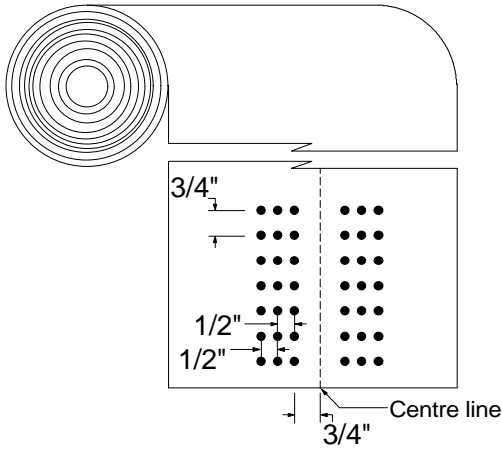


Pattern 30

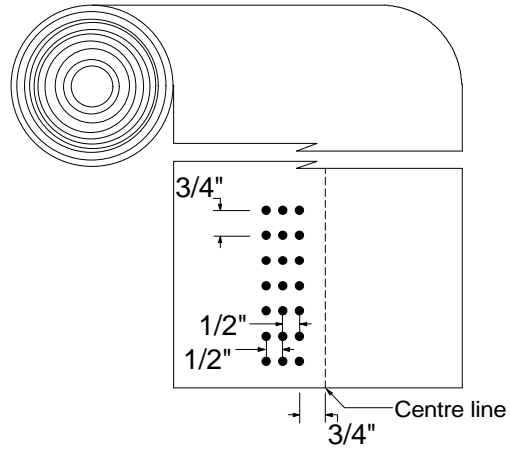


Pattern 31

Perforation to left or right of Centre Line

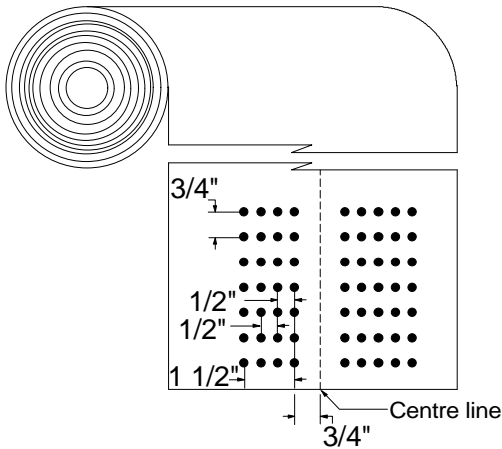


Pattern 40

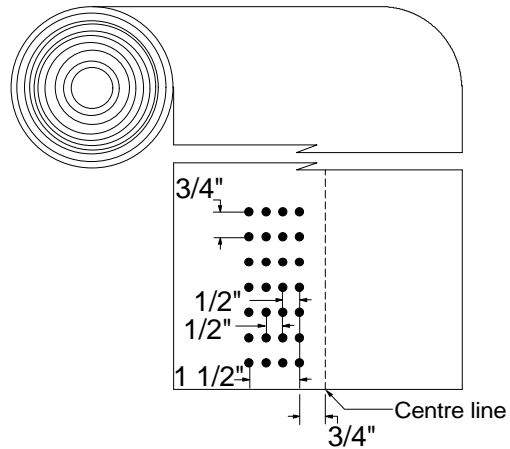


Pattern 41

Perforation to left or right of Centre Line

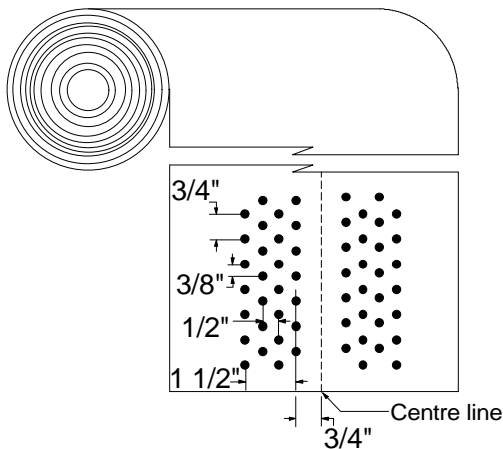


Pattern 50

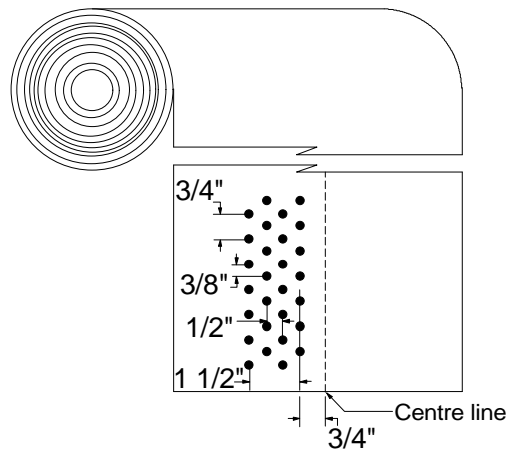


Pattern 51

Perforation to left or right of Centre Line



Pattern 60



Pattern 61

Perforation to left or right of Centre Line